



---

Tubtara®

Blind Rivet Nuts

## SEMI-HEX + PRECOTE® 5 SEAL

# Technical Data Sheet, HUT/...KSGUP

Our blind rivet nuts of the series HUT with a low profile head and underhead sealing feature a dry, non-reactive peripheral seal, applied from underneath the head till 4 - 5 mm lower on the shank.

During installation of the rivet nut, excess resin material is scraped from the shank towards the head, forming a seal between the flush head and the parent material, into which the rivet nut is installed.

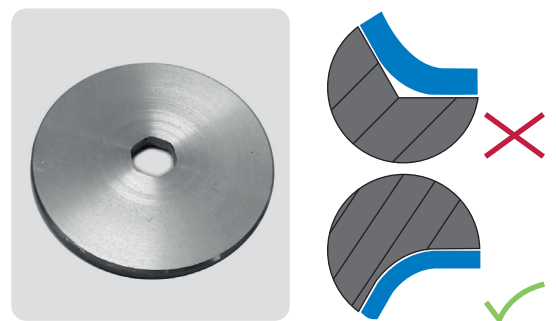
The seal is approx. 0.25mm thick and offers a good thermal and chemical resistance, making it suitable for use with water, gasses, fuels and many automotive fluids.

If correctly applied and installed in properly formed hexagonal holes<sup>(1)</sup>, the compressed seal only slightly reduces the rivet nut's grip range<sup>(2)</sup> and ensures an IP 67 (tested until 3 bar) waterproof<sup>(3)</sup> assembly.

Pricing and lead times are available on request.



<b>Material</b>	Acrylate
<b>Colour</b>	light green/white
<b>Temp resistance: air</b>	-50   +150°C
<b>tap water</b>	+100°C
<b>oils, brake fluid</b>	+150°C
<b>fuels</b>	ambient temp.
<b>glycol/water, 50/50</b>	+120°C
<b>Waterproof</b>	IP67 <sup>(3)</sup>
<b>Shelve life</b>	4 years (at 30°C and 65% humidity)



- (1) Hex hole size, radius and tolerances (cfr. catalogue) are to be carefully observed, particularly for installation of semi-hex rivet nuts, to ensure proper sealing function.
- (2) Compressed resin seal will decrease maximum grip with approx. 0.3mm.
- (3) Only guaranteed under manufacturer test conditions, test certificate available on request.

## FULL-HEX + PRECOTE® 5 SEAL

# Technical Data Sheet, HHUT/...KSGUP

Our blind rivet nuts of the series HHUT with a low profile head and underhead sealing feature a dry, non-reactive peripheral seal, applied from underneath the head till 4 - 5 mm lower on the shank.

During installation of the rivet nut, excess resin material is scraped from the shank towards the head, forming a seal between the flush head and the parent material, into which the rivet nut is installed.

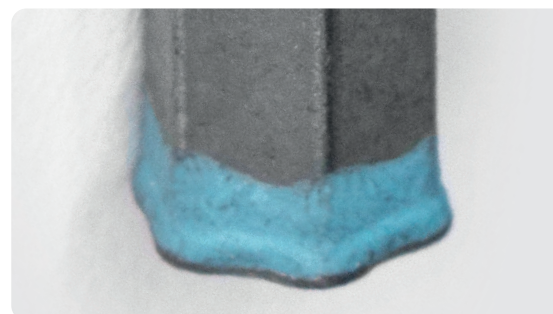
The seal is approx. 0.25mm thick and offers a good thermal and chemical resistance, making it suitable for use with water, gasses, fuels and many automotive fluids.

If correctly applied and installed in properly formed hexagonal holes<sup>(1)</sup>, the compressed seal only slightly reduces the rivet nut's grip range<sup>(2)</sup> and ensures an IP 67 (tested until 3 bar) waterproof<sup>(3)</sup> assembly.

Pricing and lead times are available on request.



<b>Material</b>	Acrylate
<b>Colour</b>	light green/white
<b>Temp resistance: air</b>	-50   +150°C
<b>tap water</b>	+100°C
<b>oils, brake fluid</b>	+150°C
<b>fuels</b>	ambient temp.
<b>glycol/water, 50/50</b>	+120°C
<b>Waterproof</b>	IP67 <sup>(3)</sup>
<b>Shelve life</b>	4 years (at 30°C and 65% humidity)



- (1) Hex hole size, radius and tolerances (cfr. catalogue) are to be carefully observed, to ensure proper sealing function.
- (2) Compressed resin seal will decrease maximum grip with approx. 0.3mm.
- (3) Only guaranteed under manufacturer test conditions, test certificate available on request.

**STEEL**

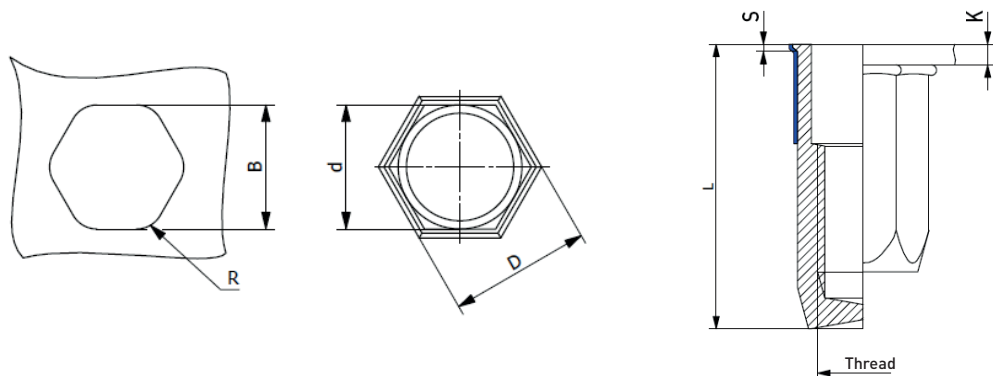
# Full-hexagon shank, HHUT/FEKSGUP

Low profile head with underhead seal Closed end, Zinktop 480h, Cr<sup>VI</sup> - free



watertight IP67<sup>1</sup>

Thread	K = Grip Range	Code	B = Hex-Hole-Ø +0.1	R = Radius	d = Hex-Shank	D = Hex-Head	S = Head high	L = Length
<b>M5</b>	0,5-2,7	2,7	7,00	0,30	7,00	7,70	0,60	20,00
	2,7-5,2	5,2		0,30				22,50
<b>M6</b>	0,5-2,7	2,7	9,00	0,30	9,00	9,80	0,70	22,00
	2,7-5,2	5,2		0,30				24,50
<b>M8</b>	0,5-2,7	2,7	11,00	0,30	11,00	11,80	0,70	25,00
	2,7-5,2	5,2		0,30				27,50
<b>M10</b>	0,8-3,2	3,2	13,00	0,30	13,00	13,80	0,70	32,00
	3,2-5,7	5,7		0,30				34,50



**Order example:**

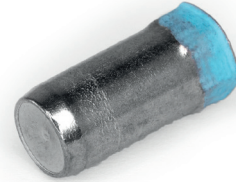
	M5	HHUT	FE	KS	G	UP	2,7
Thread size M5							
Type shank							
Material							
Low Profile Head							
Closed End							
Underhead Sealing Precote 5							
Code which indicates the max. grip range							

Other versions on request.  
All dimensions in mm - Technical data subject to modification.  
Characteristics see chapter 'Technical Information'.  
(1) IP 67 guaranteed under manufacturer test conditions.

## STAINLESS STEEL A2

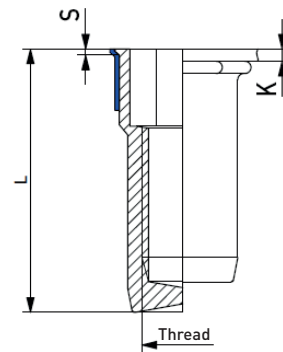
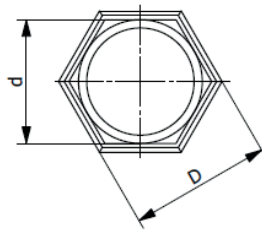
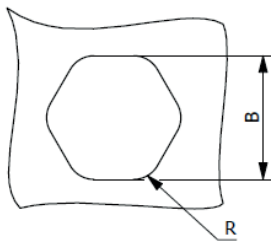
# Semi-hexagon shank, HUT/ROKSGUP

Low profile head with underhead seal Closed end



watertight IP67<sup>1</sup>

Thread	K = Grip Range	Code	B = Hex-Hole- $\varnothing$ +0.1	R = Radius +/- 0.05	d = Hex-Shank	D = Hex-Head	S = Head high	L = Length
<b>M5</b>	0,5-2,7	2,7	7,00	1,80	7,00	7,50	0,50	18,00
	2,7-4,7	4,7						20,50
<b>M6</b>	0,5-2,7	2,7	9,00	2,20	9,00	9,70	0,50	21,50
	2,7-4,7	4,7						23,50
	4,7-6,7	6,7						25,50
<b>M8</b>	0,5-2,7	2,7	11,00	2,70	11,00	11,80	0,50	24,00
	2,7-5,2	5,2						26,50
	5,2-7,7	7,7						29,00
<b>M10</b>	0,8-3,2	3,2	13,00	2,80	13,00	13,80	0,70	29,50
	3,2-5,7	5,7						32,00



### Order example:

	M5	HUT	RO	KS	G	UP	2,7
Thread size M5							
Type shank							
Material							
Low Profile Head							
Closed End							
Underhead Sealing Precote 5							
Code which indicates the max. grip range							

Other versions on request.

All dimensions in mm - Technical data subject to modification.

Radius info and characteristics see chapter 'Technical Information'

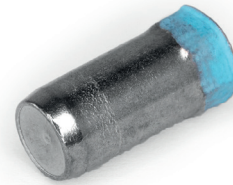
(1) IP 67 guaranteed under manufacturer test conditions.

R: Hexagonal hole radius needs to be observed to obtain an IP 67 waterproof assembly, see see Data Sheet "HUT Series".

**STAINLESS STEEL A4**  
(Contains > 2% Molybden)

# Semi-hexagon shank, HUT/A4KSGUP

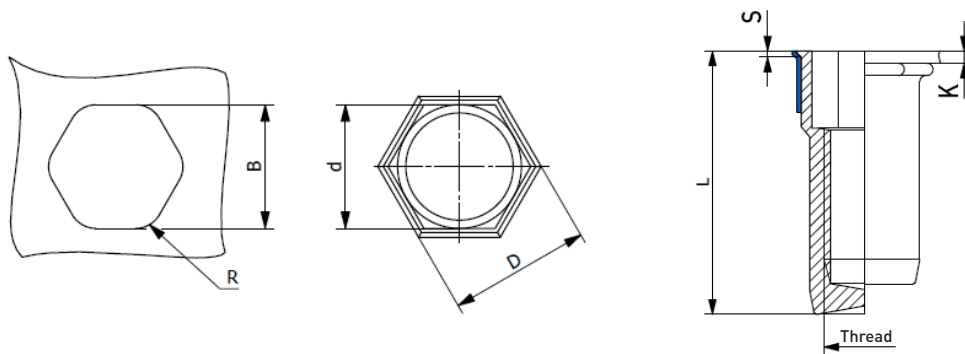
Low profile head with underhead seal Closed end



extra high corrosion resistance

watertight IP67<sup>1</sup>

Thread	K = Grip Range	Code	B = Hex-Hole-Ø +0.1	R = Radius +/- 0.05	d = Hex-Shank	D = Hex-Head	S = Head height	L = Length
<b>M5</b>	0,5-2,7 2,7-4,7	2,7 4,7	7,00	1,80	7,00	7,50	0,50	18,00 20,50
<b>M6</b>	0,5-2,7 2,7-4,7	2,7 4,7	9,00	2,20	9,00	9,70	0,50	21,50 23,50
<b>M8</b>	0,5-2,7 2,7-5,2	2,7 5,2	11,00	2,70	11,00	11,80	0,50	24,00 26,50
<b>M10</b>	0,8-3,2 3,2-5,7	3,2 5,7	13,00	2,80	13,00	13,80	0,70	29,50 32,00



**Order example:**

Thread size M5	M5	HUT	A4	KS	G	UP	2,7
Type shank							
Material							
Low Profile Head							
Closed End							
Underhead Sealing Precote 5							
Code which indicates the max. grip range							

Other versions on request.

All dimensions in mm - Technical data subject to modification.

Radius info and characteristics see chapter 'Technical Information'.

(1) IP 67 guaranteed under manufacturer test conditions.

R: Hexagonal hole radius needs to be observed to obtain an IP 67 waterproof assembly, see Data Sheet "HUT Series".

---

**KVT-Fastening  
Zweigniederlassung der  
Bossard AG**

Dietikon/Zürich | Schweiz  
Tel: +41 44 743 33 33  
info-CH@kvt-fastening.com  
www.kvt-fastening.ch

**KVT-Fastening GmbH**

Illerrieden | Deutschland  
Tel: +49 7306 782 - 0  
info-DE@kvt-fastening.com  
www.kvt-fastening.de

**KVT-Fastening GmbH**

Linz/Pichling | Österreich  
Tel: +43 732 25 77 00  
info-AT@kvt-fastening.com  
www.kvt-fastening.at



[www.kvt-fastening.com](http://www.kvt-fastening.com)

**KVT-Fastening Sp. z o.o.**

Radom | Polen  
Tel: +48 58 762 17 80  
info-PL@kvt-fastening.com  
www.kvt-fastening.pl

**KVT-Fastening S.R.L.**

București | Rumänien  
Tel: +40 37 1381155  
info-RO@kvt-fastening.com  
www.kvt-fastening.ro

**KVT-Fastening spol. s.r.o.**

Bratislava | Slowakei  
Tel: +421 9 11102510  
info-SK@kvt-fastening.com  
www.kvt-fastening.sk

**KVT-Tehnika pritrjevanja d.o.o.**

Ljubljana | Slowenien  
Tel: +386 1 2808019  
info-SI@kvt-fastening.com  
www.kvt-fastening.si

**KVT-Fastening s.r.o.**

Brno | Tschechische Republik  
Tel: +420 547 125200201  
info-CZ@kvt-fastening.com  
www.kvt-fastening.cz

**KVT-Fastening Kft.**

Budapest | Ungarn  
Tel: +36 1 769 0925  
info-HU@kvt-fastening.com  
www.kvt-fastening.hu

