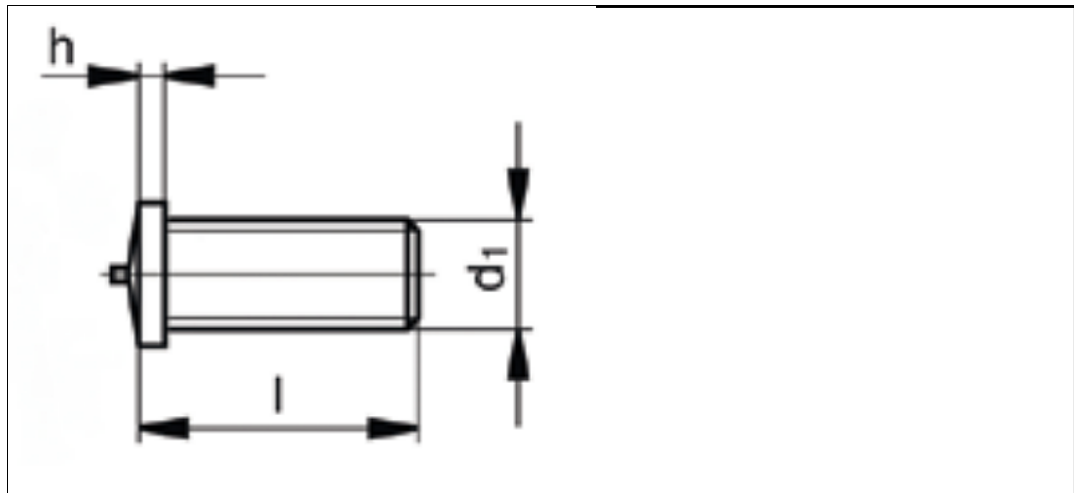


Data sheet - FWP D3x10 AL FASTEKS® WELDING PINS



Application	Welding pins, capacitor discharge
Order description	FWP D3x10 AL
Material	AlMg3
d1	3 mm
l	10 mm
h +/- 0.3	1.1 mm
minimum order quantity	5.000
Additional types	on request

uniform resource locator: