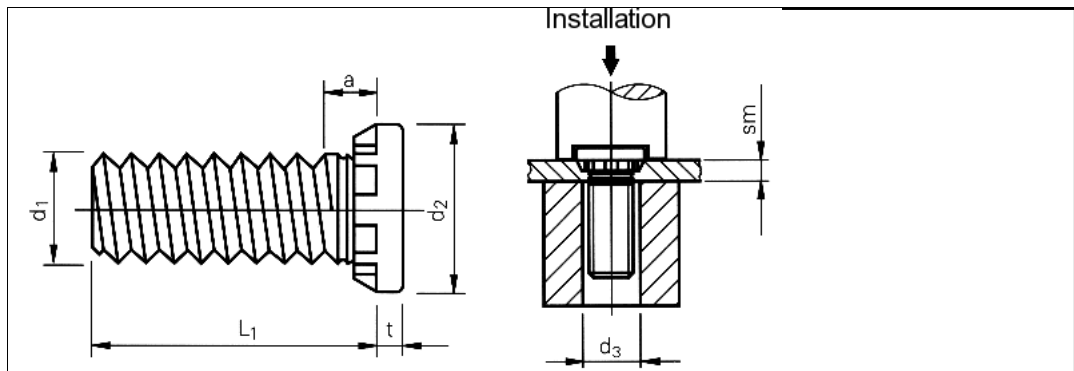


Data sheet - HFH-M6-20

Self-clinching high-strength studs



3D-Data available	
Order description	HFH-M6-20
Thread d1	M6
Hole-Ø in the sheet +0.13 0	6 mm
d2 ±0.25	9.4 mm
d3	6.1 mm
Max. a	2.8 mm
Max. t	1.27 mm
Min. sm	1.5 mm
L ±0.4	20 mm
Min. edge distance up to the hole centre	11.5 mm
Material	Grade 9.8 through-hardened zinc-plated carbon steel (other finishes on request).
Use	For sheet hardnesses up to HRB 85.
Tools	
Insertion machines	

uniform resource locator: