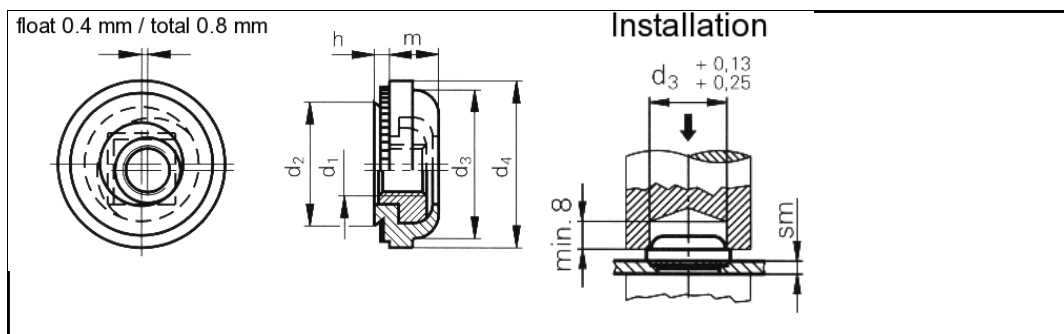


Data sheet - AC-M5-1

Floating self-clinching nuts



3D-Data available	
Application	The internal floating nut permits up to 0.8 mm adjustment for mating hole misalignment.
Order description	AC-M5-1
Thread d1	M5
Hole-Ø in the sheet +0.08 0	10.30 mm
Max. d2	10.29 mm
Max. d3	10.29 mm
d4 ±0.4	11.94 mm
Max. m	4.32 mm
Max. h	0.97 mm
Min. sm	1.0 mm
Min. edge distance up to the hole centre	9.14 mm
Material	Passivated grade 18/8 stainless steel (AISI 300).
Use	For sheet hardnesses up to HRB 70.
Tools	
Insertion machines	

uniform resource locator: